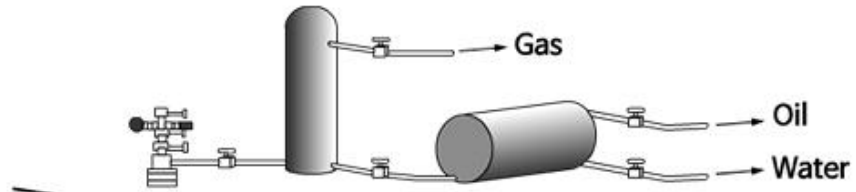


05.01.01 석유생산시스템

Surface Production

(from wellhead to downstream)

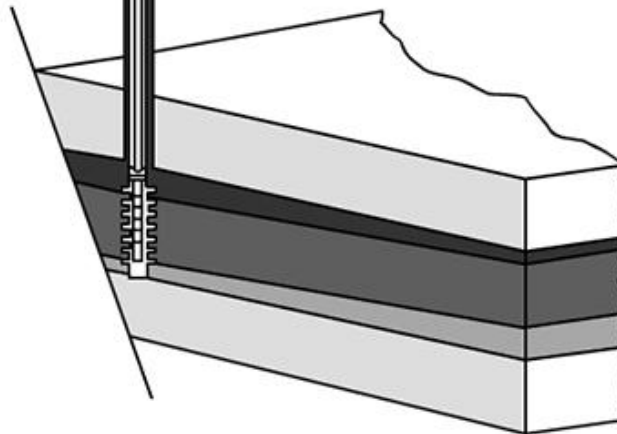


Vertical flow performance

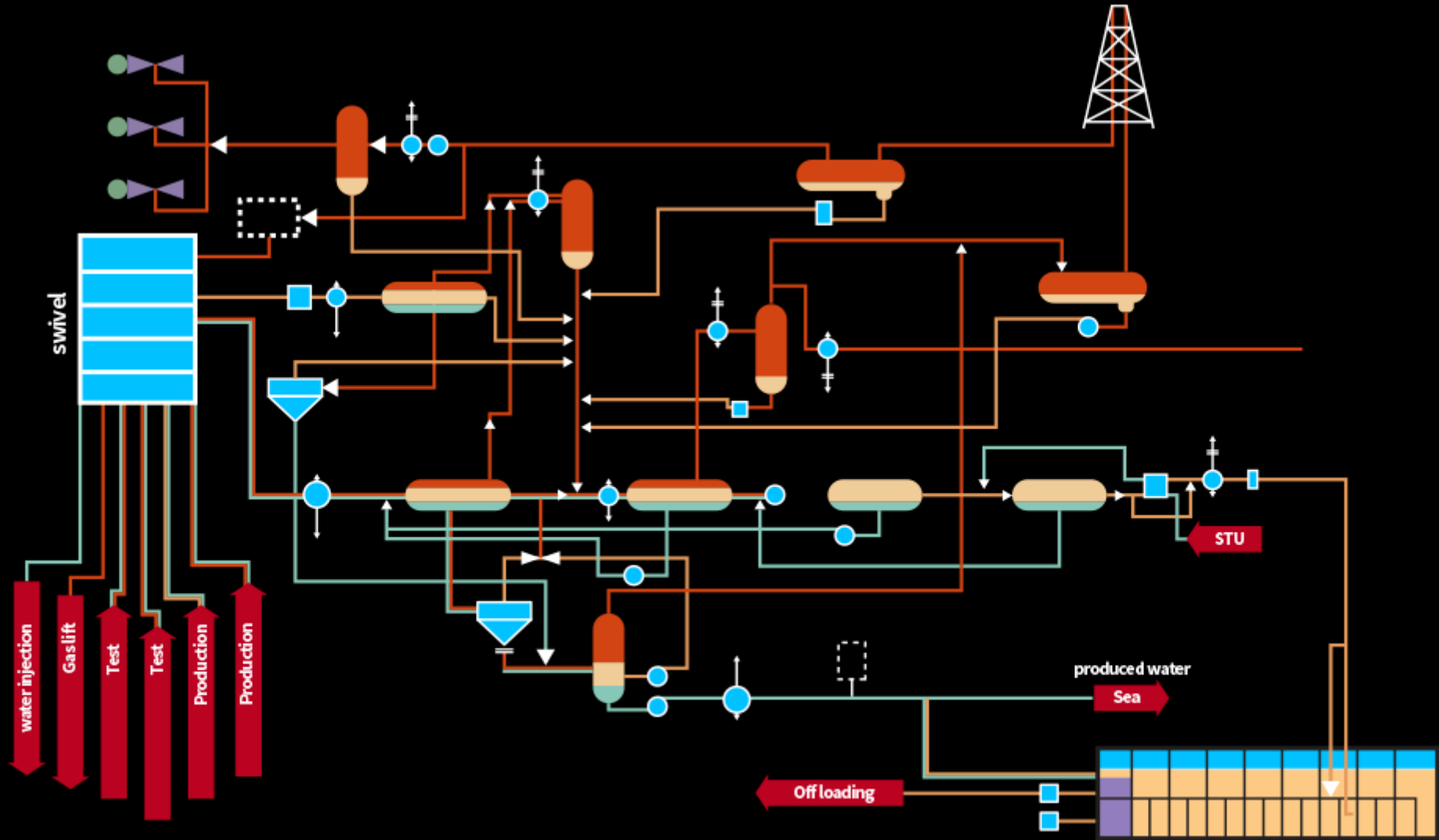
(from wellbore to Wellhead)

Inflow Performance

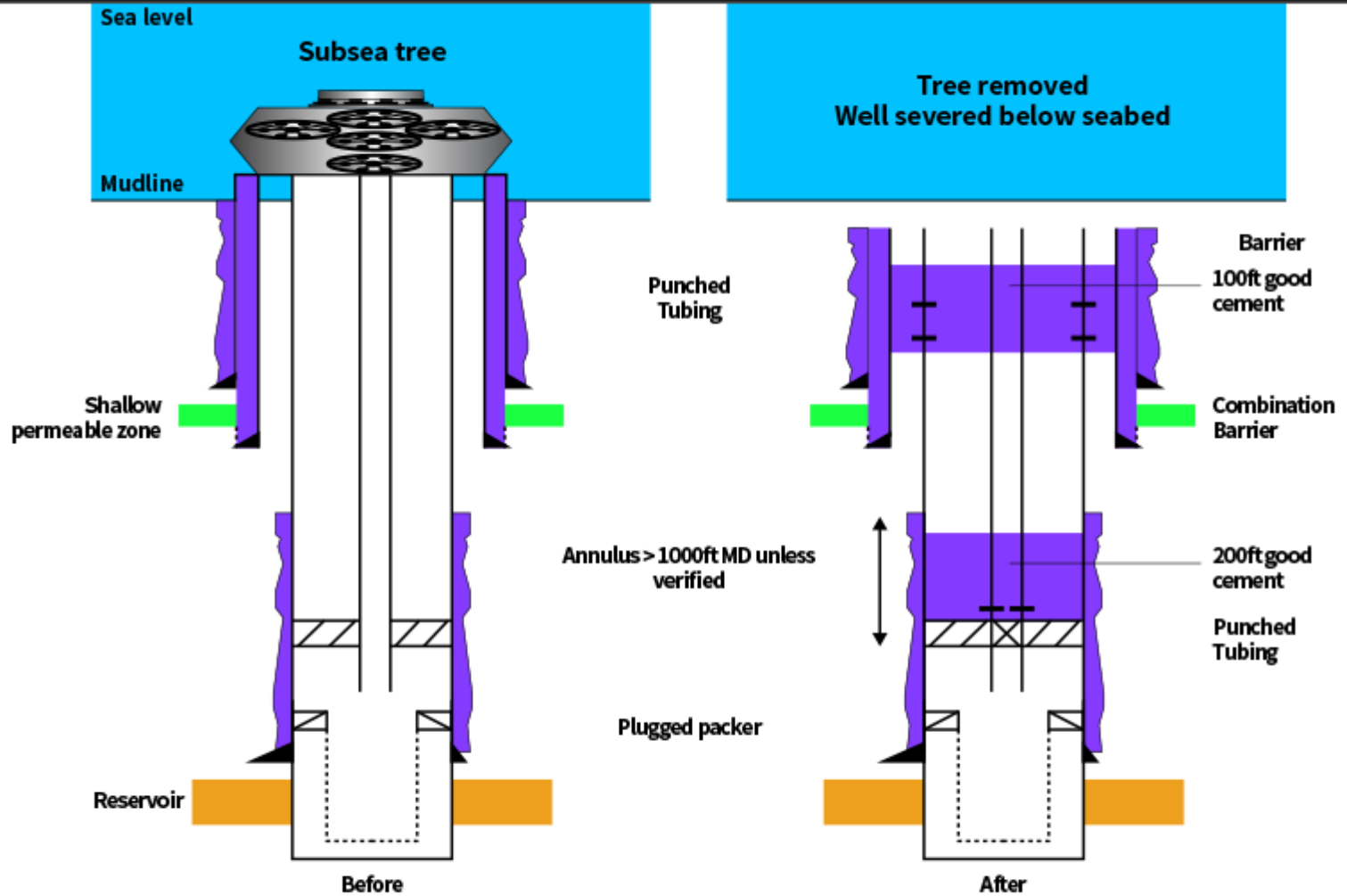
(from reservoir to wellbore)



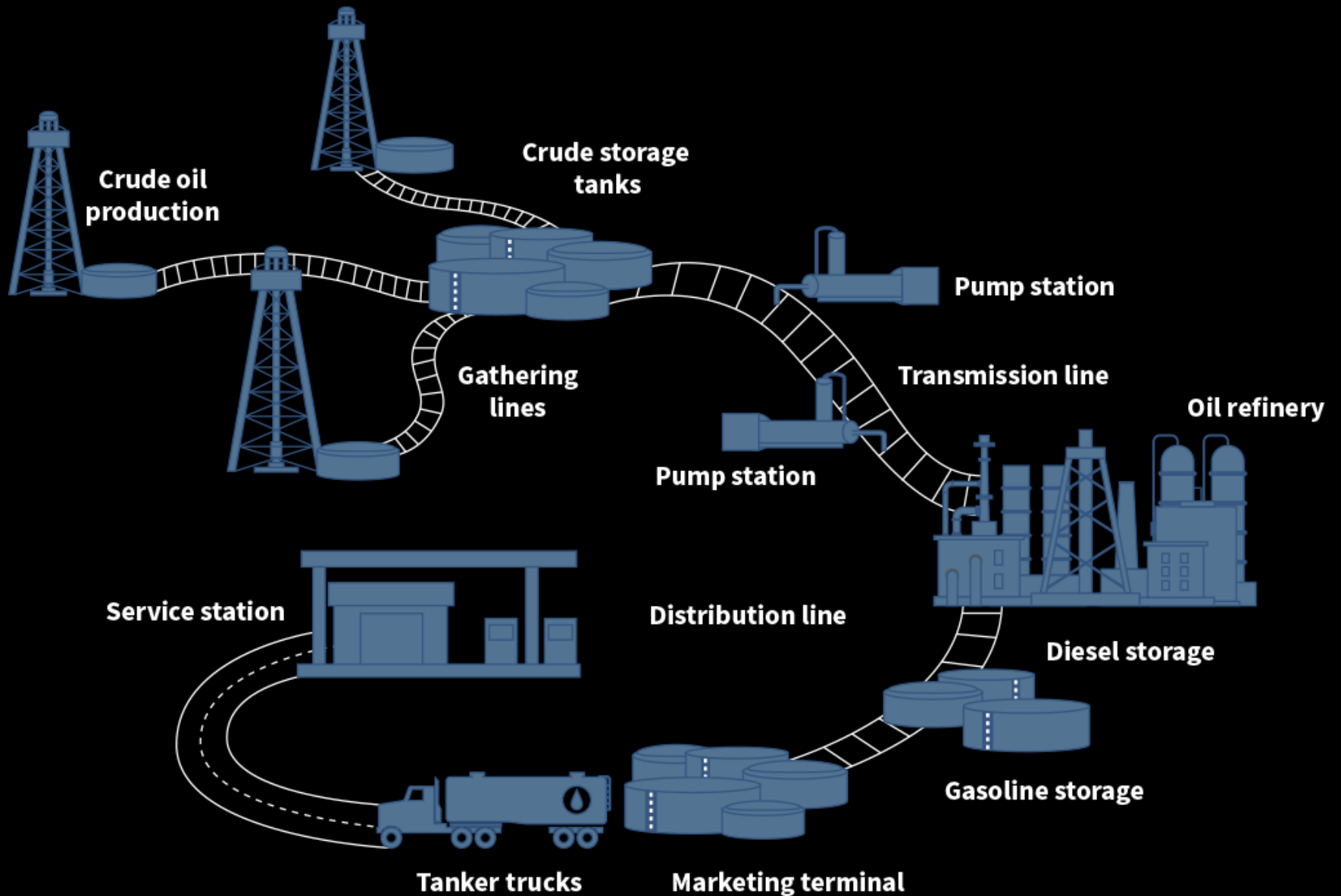
05.01.03 지상 생산 설비



05.01.04 폐공



05.01.05 파이프라인



05.03.01 자연감퇴 생산에너지

